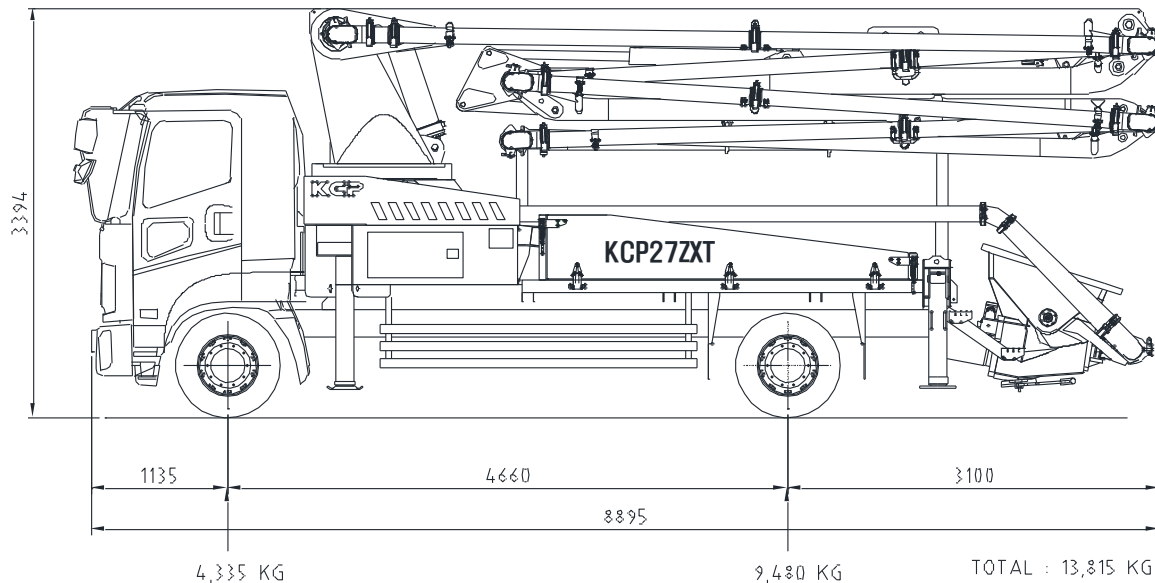


Our Pride ...

KCP27ZXT

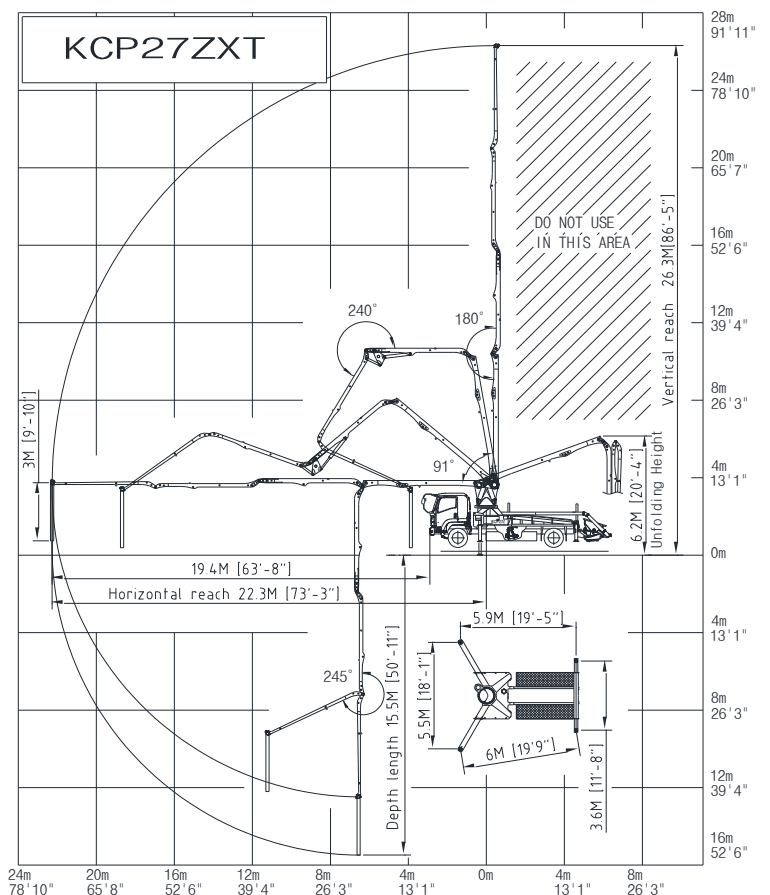


▣ Boom specifications

Vertical reach	26.30M
Horizontal reach	22.27M
Reach from front of truck	19.37M
Unfolding height	6.15 M
Section articulation	91°/180°/240°/245°
Rotation	370°
Delivery line	125 mm
Proportional boom	Yes
End hose length	3M
Outrigger spread-front	5.5 M
Outrigger spread-rear	3.6 M
Max. outrigger weight	13,500kg

- ◎ Truck specifications : ISUZU TRUCK _ 2PG-FTR90U2 - 0020
- ◎ Maximum theoretical values listed.
- ◎ Photos and drawings are for illustrative purpose only
- ◎ Right to make technical amendments reserved

▣ Working diagram



▣ Pump specifications

Maximum output	72 (head), 115 (rod) m³/h
Concrete cylinder	Ø230×1400
Stroke per minute	20 (head), 33 (rod)
Concrete pressure	111 (head), 79 (rod) bar
Hopper capacity	0.5 m³
S-tube	Ø200×Ø180
Hydraulic pump	K3V200S
Cycling system	Hydraulic with manual overrides
Max. aggregate size	40 mm