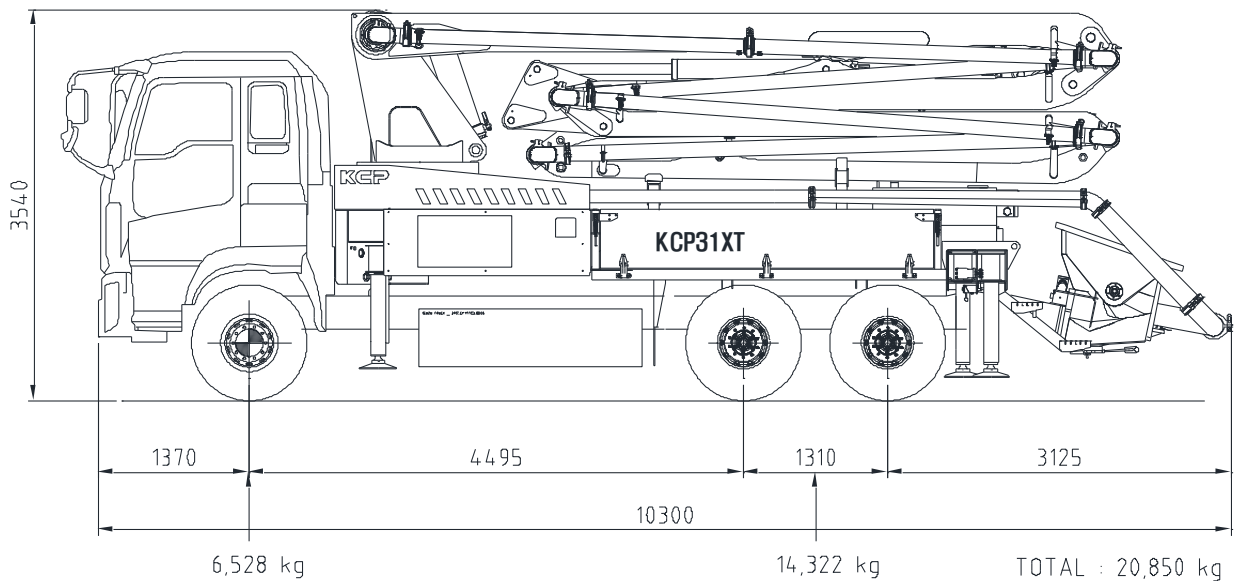


Our Pride ...

KCP31ZT



▣ Boom specifications

Vertical reach	30.6M
Horizontal reach	26.5M
Reach from front of truck	23.7M
Unfolding height	5.96 M
Section articulation	92°/180°/230°/180°/235°
Rotation	370°
Delivery line	125 mm
Proportional boom	Yes
End hose length	3M
Outrigger spread-front	5.6 M
Outrigger spread-rear	5.6 M
Max.outrigger weight	14,500kg

- ◎ Truck specifications : ISUZU TRUCK _ 2PG-CY77CM-0017
- ◎ Maximum theoretical values listed.
- ◎ Photos and drawings are for illustrative purpose only
- ◎ Right to make technical amendments reserved

▣ Working diagram

▣ Pump specifications

Maximum output	119 (head), 177 (rod) m³/h
Concrete cylinder	Ø230×1800
Stroke per minute	27 (head), 39 (rod)
Concrete pressure	130 (head), 87 (rod) bar
Hopper capacity	0.6 m³
S-tube	Ø200×Ø180
Hydraulic pump	KAWASAKI – K3V 200DT
Cycling system	Hydraulic with manual overrides
Max. aggregate size	40 mm

