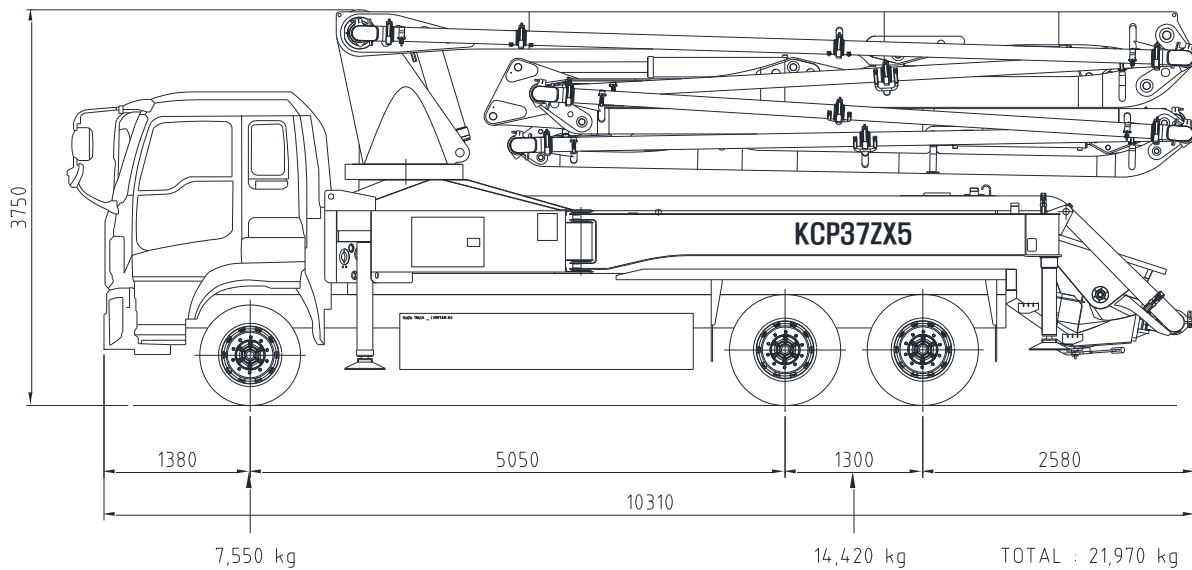


Our Pride ...

KCP37ZX

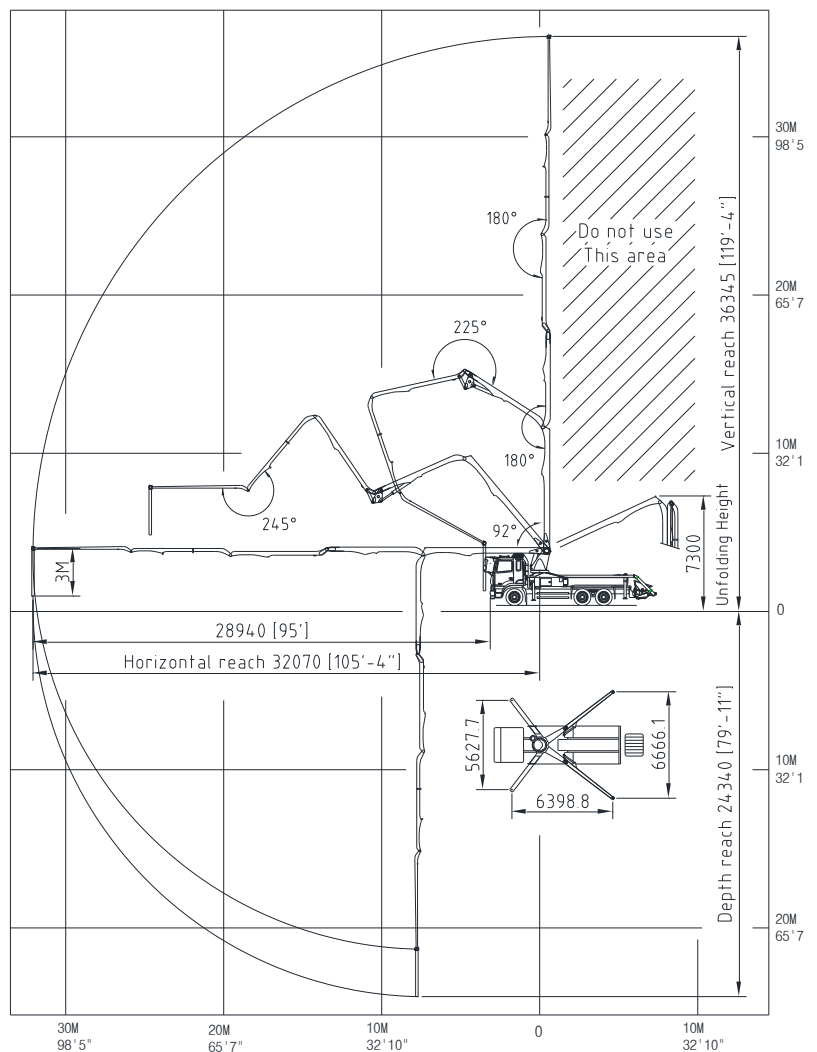


▣ Boom specifications

Vertical reach	36.34M
Horizontal reach	32.07 M
Reach from front of truck	28.94 M
Unfolding height	7.3 M
Section articulation	92°/180°/225°/180°/245°
Rotation	370°
Delivery line	125 mm
Proportional boom	Yes
End hose length	3M
Outrigger spread-front	5.63 M
Outrigger spread-rear	6.67 M
Max. outrigger weight	17,500kg

- ◎ Truck specifications : ISUZU TRUCK _ CYZ77AM-SX
- ◎ Maximum theoretical values listed.
- ◎ Photos and drawings are for illustrative purpose only
- ◎ Right to make technical amendments reserved

▣ Working diagram



▣ Pump specifications

Maximum output	119(head), 177(rod) m³/h
Concrete cylinder	Ø230×1800
Stroke per minute	27(head), 39(rod)
Concrete pressure	130(head), 87(rod) bar
Hopper capacity	0.6 m³
S-tube	Ø220×Ø180
Hydraulic pump	KAWASAKI - K3V 200DT
Cycling system	Hydraulic with manual overrides
Max. aggregate size	40 mm