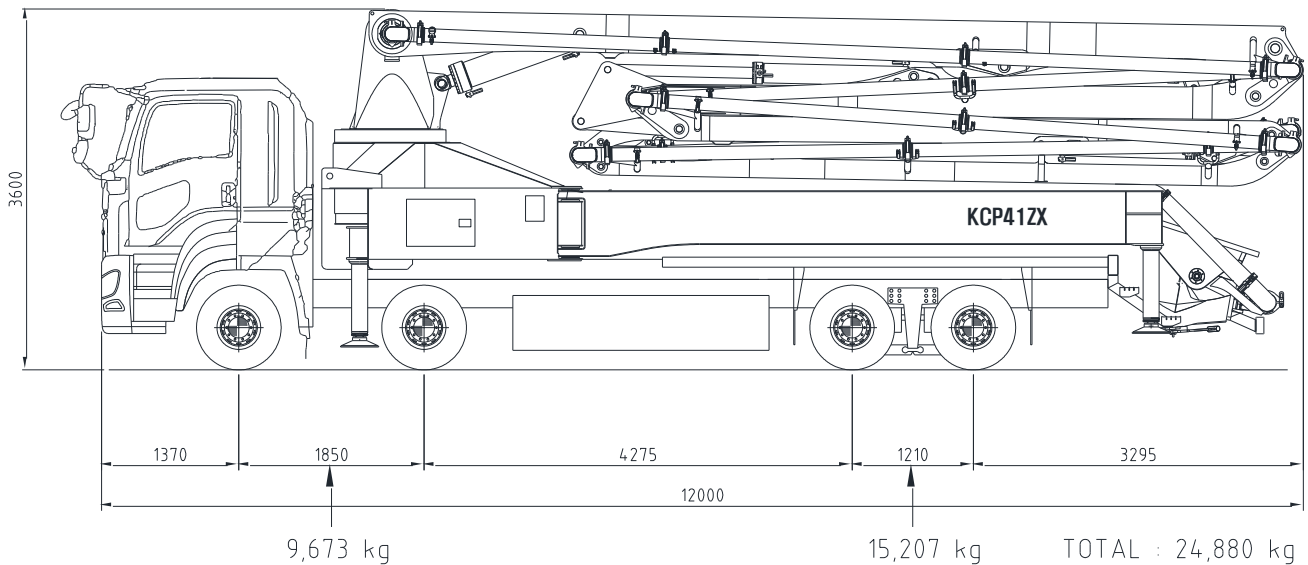


Our Pride ...

# KCP41ZX5



## ▣ Boom specifications

Vertical reach	40.14 M
Horizontal reach	36.33 M
Reach from front of truck	33.24 M
Unfolding height	8.01 M
Section articulation	92°/186°/230°/180°/245°
Rotation	370°
Delivery line	125 mm
Proportional boom	Yes
End hose length	3M
Outrigger spread-front	6.11 M
Outrigger spread-rear	9.06 M
Max. outrigger weight	25,000kg

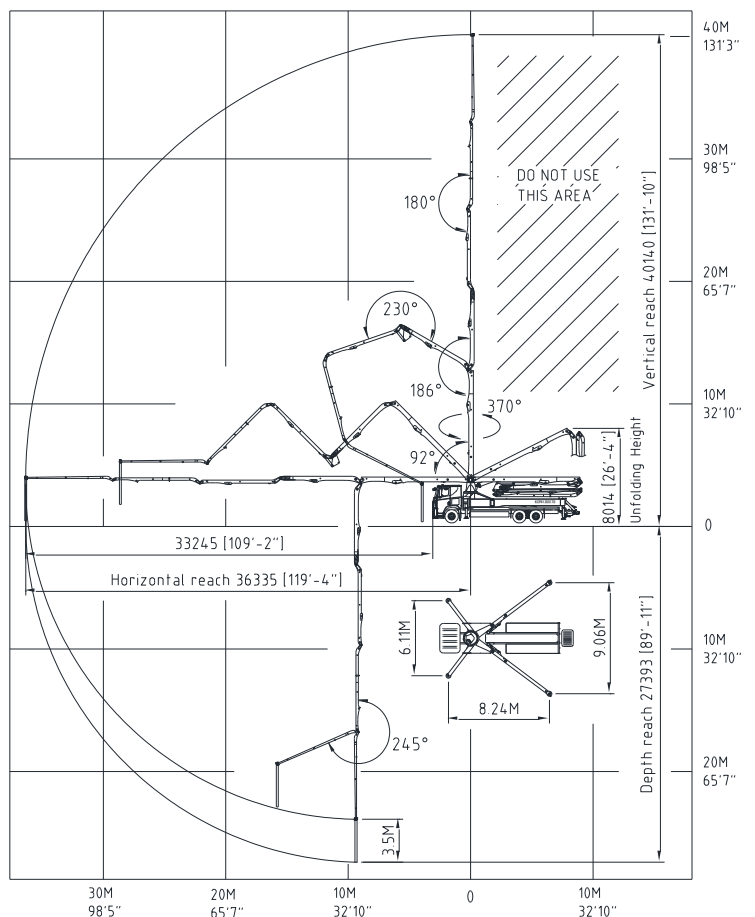
◎ Truck specifications : ISUZU TUCK\_ 2PG-CYJ77C - 0004

◎ Maximum theoretical values listed.

◎ Photos and drawings are for illustrative purpose only

◎ Right to make technical amendments reserved

## ▣ Working diagram



## ▣ Pump specifications

Maximum output	120 (head), 177 (rod) m³/h
Concrete cylinder	Ø230×2100
Stroke per minute	23 (head), 34 (rod)
Concrete pressure	130 (head), 87 (rod) bar
Hopper capacity	0.6 m³
S-tube	Ø200×Ø180
Hydraulic pump	KAWASAKI - K3V 200DT
Cycling system	Hydraulic with manual overrides
Max. aggregate size	40 mm