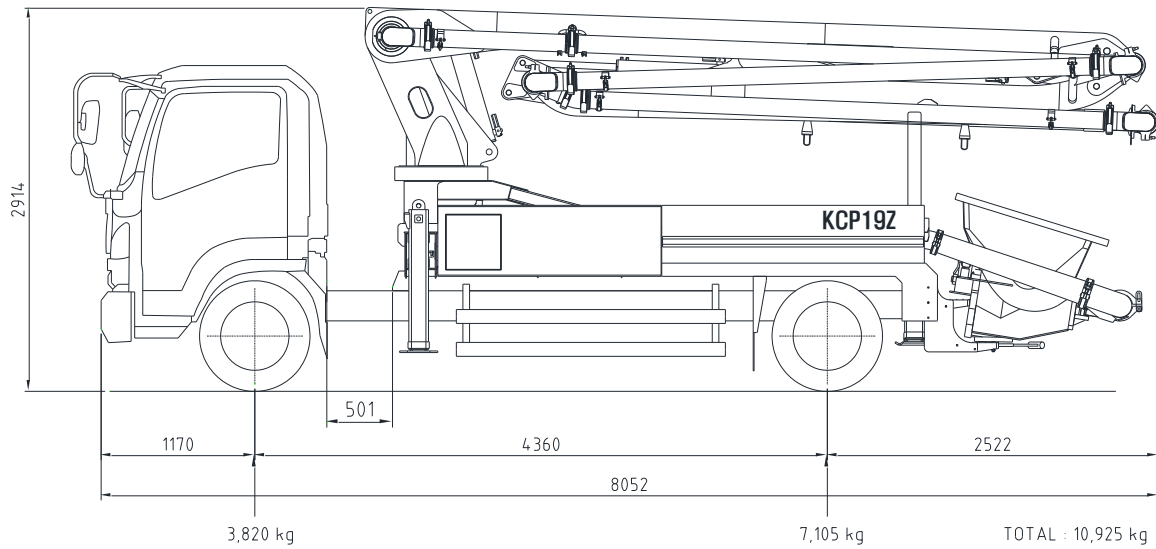


Our Pride ...

KCP19Z



▣ Boom specifications

Vertical reach	18.1M
Horizontal reach	14.5M
Reach from front of truck	11.7M
Unfolding height	5.1 M
Section articulation	92°/190°/265°
Rotation	370°
Delivery line	125 mm
Proportional boom	Yes
End hose length	3M
Outrigger spread-front	3M
Outrigger spread-rear	2.6 M
Max.outrigger weight	9,000kg

- ◎ Truck specifications : ISUZU TRUCK _ SKG-FSR90S2-1141
- ◎ Maximum theoretical values listed.
- ◎ Photos and drawings are for illustrative purpose only
- ◎ Right to make technical amendments reserved

▣ Working diagram

▣ Pump specifications

Maximum output	102 m³/h (head side)
Concrete cylinder	Ø230×1100
Stroke per minute	37
Concrete pressure	80 bar (head side)
Hopper capacity	0.6 m³
S-tube	Ø200×Ø180
Hydraulic pump	KAWASAKI – K5V 200S
Cycling system	Hydraulic with manual overrides
Max. aggregate size	40 mm

